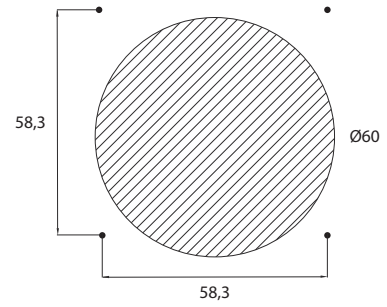
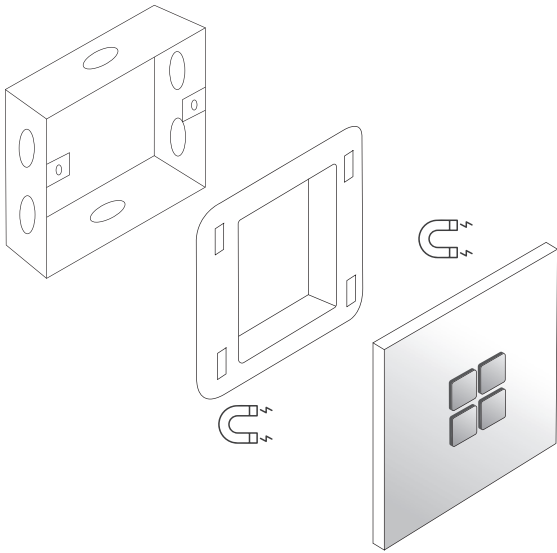


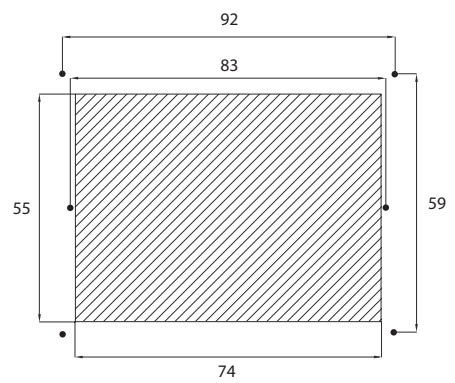
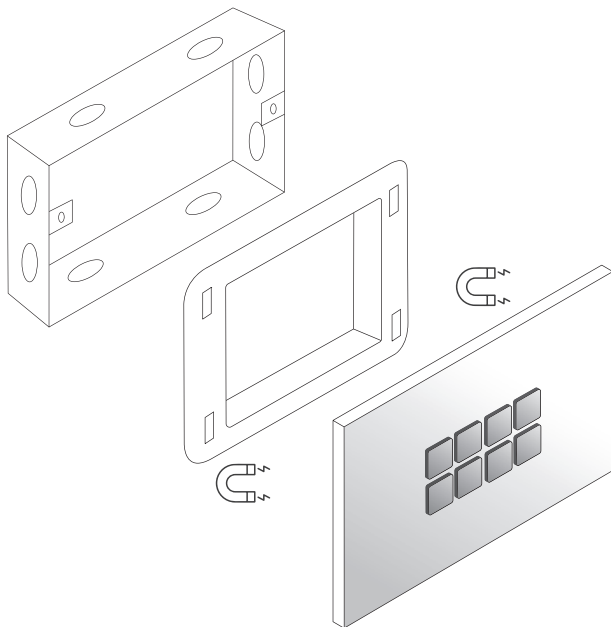


HPLATE® MECHANICAL CHARACTERISTICS & CUTOUT TEMPLATE (mm)

502 80x80x6



503 120x80x6

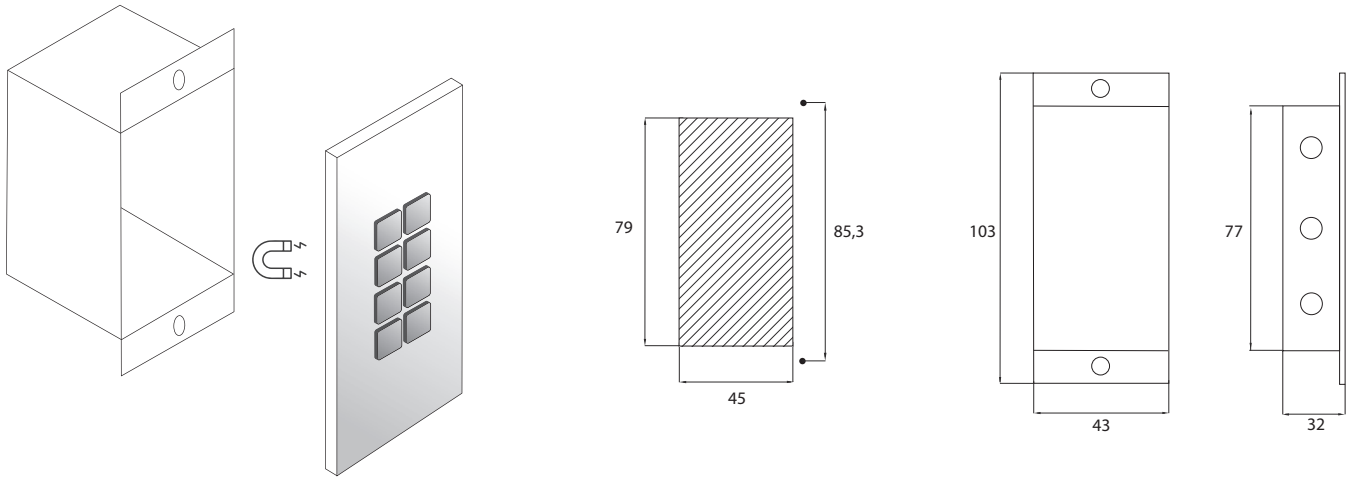




HPLATE® MECHANICAL CHARACTERISTICS & CUTOUT TEMPLATE (mm)

503 SLIM

120x48x6



504 MISTA

143x80x6

