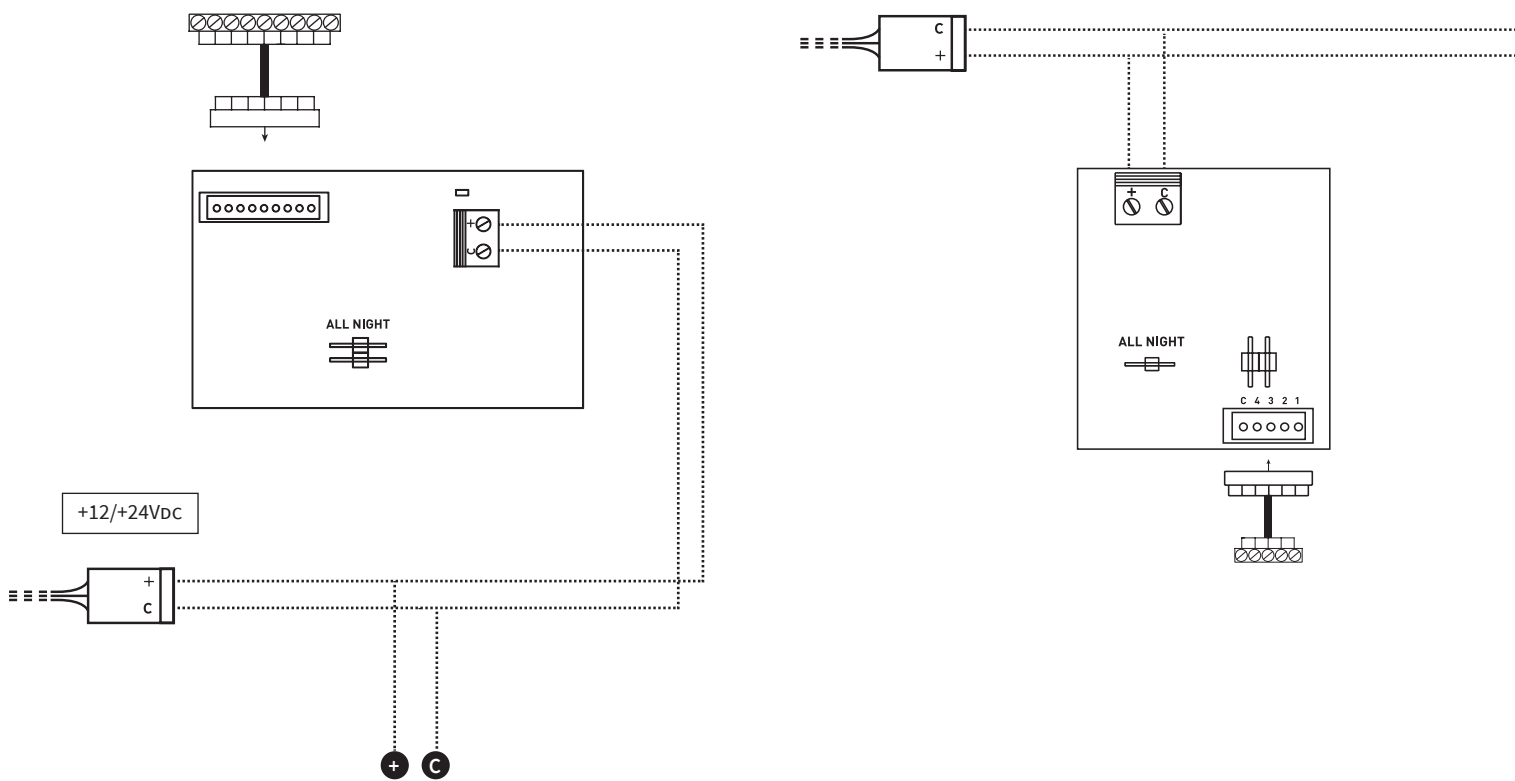




Dry contact wiring

- Status LEDs pulsive management



KNX wiring

- Programmable input capabilities
- Programmable status LEDs
- Backlight intense regulation





Yachtica® Wiring

- Programmable input capabilities
- Programmable status LEDs
- Backlight intense regulation

