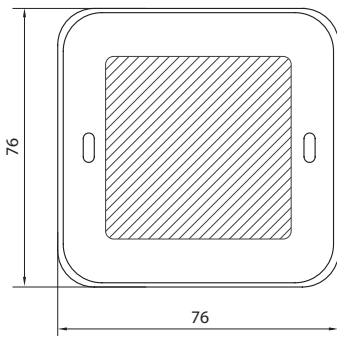
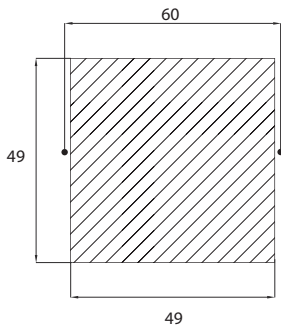
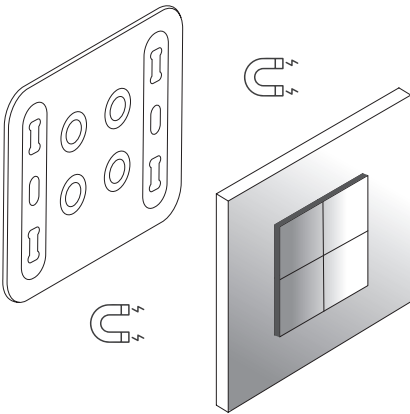


KPLATE® MECHANICAL CHARACTERISTICS & CUTOUT TEMPLATE (mm)

502



503

