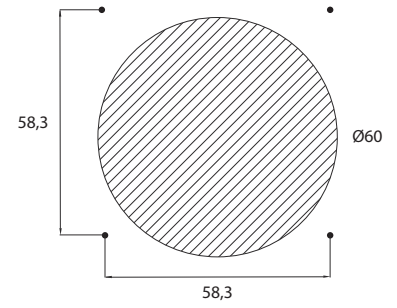
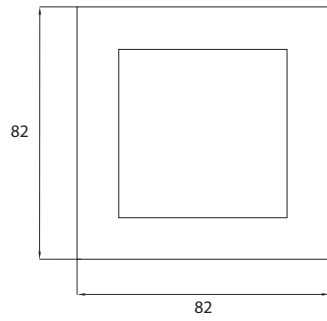


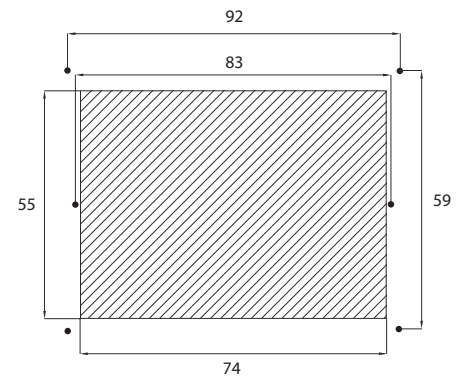
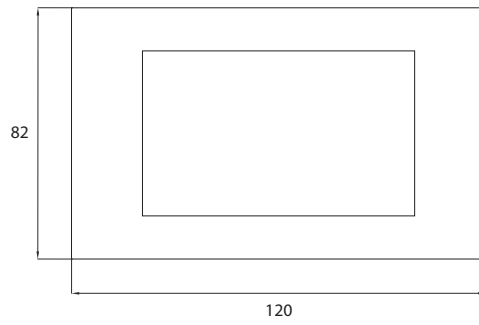
502

82x82x7



503

120x82x7



504

143x82x7

